

SKIN
BOOSTER II®



PRECISE AND ACCURATE BEAUTY CARE FOR THE PEOPLE

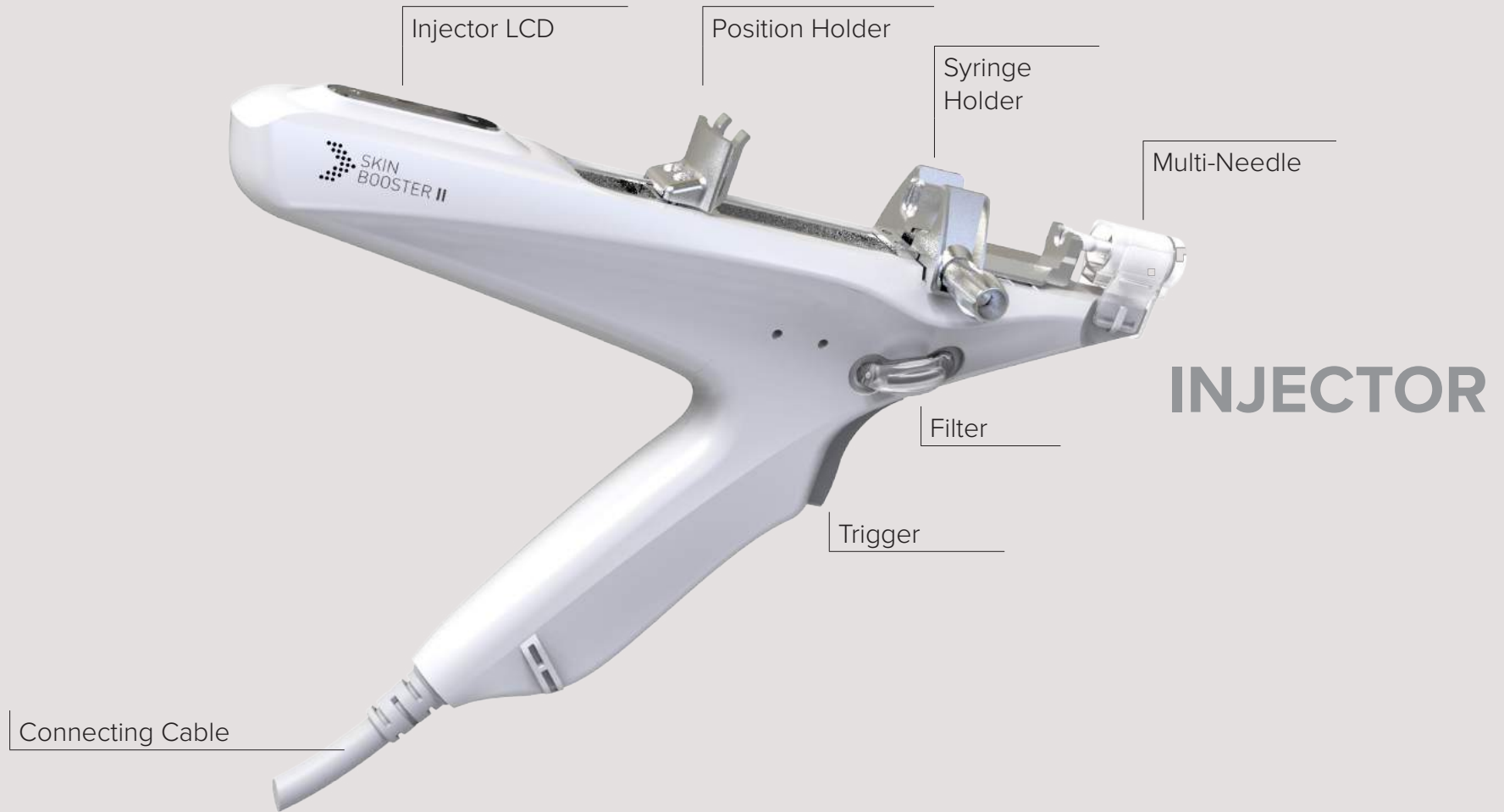


Skin Booster II is a multi-use injector with a capacity of loading interchangeable 1cc - 5cc syringes that is versatile to various medical uses.

The unique mechanism inside the device allows it to repeatedly deliver low to high viscous formulations in small yet highly accurate dosages.



MAIN BODY



2. COMPONENTS OF DEVICE



USER INTERFACE (UI)

No.	Name	Description
1	Current shot display	Current shot count shown in display
2	Shot count reset	Reset shot count
3	Syringe type	Syringe type selection – 1 cc / 2 cc / 3 cc / 5 cc
4	Depth	Set needle Penetration depth
5	Dose	Set Drug Dosage
6	Viscosity	Needle Delay time (Skin Booster II 2: 'Speed')
7	Vacuum	Vacuum Level
8	Select level	Level setting button of mode number 4~7
9	Setting Button	Main screen setting option selection – starting point adjustment/ LCD calibration
10	Sound On/Off	Sound On/Off
11	SK / HR Mode Button	SK / HR mode button – SK mode: start vacuum – HR mode: stop Vacuum
12	Shot D / Shot C Selection button	Shot D / Shot C selection mode – Shot D: Skin Booster II 2-intermittent mode – Shot C: Skin Booster II 2-continuous mode
13	Standby/Ready	Standby / Ready

Skin Booster II is developed to assist in the delivery of stabilised hyaluronic acid filler to restore hydro balance in the skin and improve skin elasticity and tone to create a revitalised look.

Healthcare professional recommended skin care science that leverages proven formulation at full capacity.

Improves

- Hydration
- Elasticity
- Roughness
- Smoothness
- Complexion
- Texture



1) REPORT 1

Effects of Injection Depth and Volume of Stabilized Hyaluronic Acid in Human Dermis on Skin Texture, Hydration, and Thickness.

Arch Aesthetic Plast Surg 2014;20(2):97-103.

Jongseo Kim (Kim-Jongseo Plastic Surgery Clinic, Seoul, Korea)

Methods

Device	Skin Booster II
Drug	Stabilized hyaluronic acid (S-HA)
Patients	150 patients (135 female patients, 15 male patients)
Treatment	<ul style="list-style-type: none"> • dry facial skin (100 patients) • dry dorsal hand skin (30 patients) / dry elbow skin (5 patients) • dry leg skin (5 patients) / dry hip skin (5 patients) • oily skin with large skin pores and acne scars (5 patients)
Observation period	1, 2, 6, 12 and 24 months
Measurement	<ul style="list-style-type: none"> • Skin roughness and morphology • Dermal thickness (face and hand) • Dermal hydration • Biopsy

Table 1. Changes after 1,000 Shots of 0.001 cc with 1 cc Particle Type S-HA into Human Dermis

	Before	After 1 month
Roughness on microscope (level)	1.34	3.17
Roughness subjective (level)	1.45	2.72
Dryness subjective (level)	1.28	3.82
Electric resistance of dermis (MΩ)	23.07	12.24
Dermal thickness of hand (mm)	1.19	1.24
Dermal thickness of face (mm)	1.03	1.08



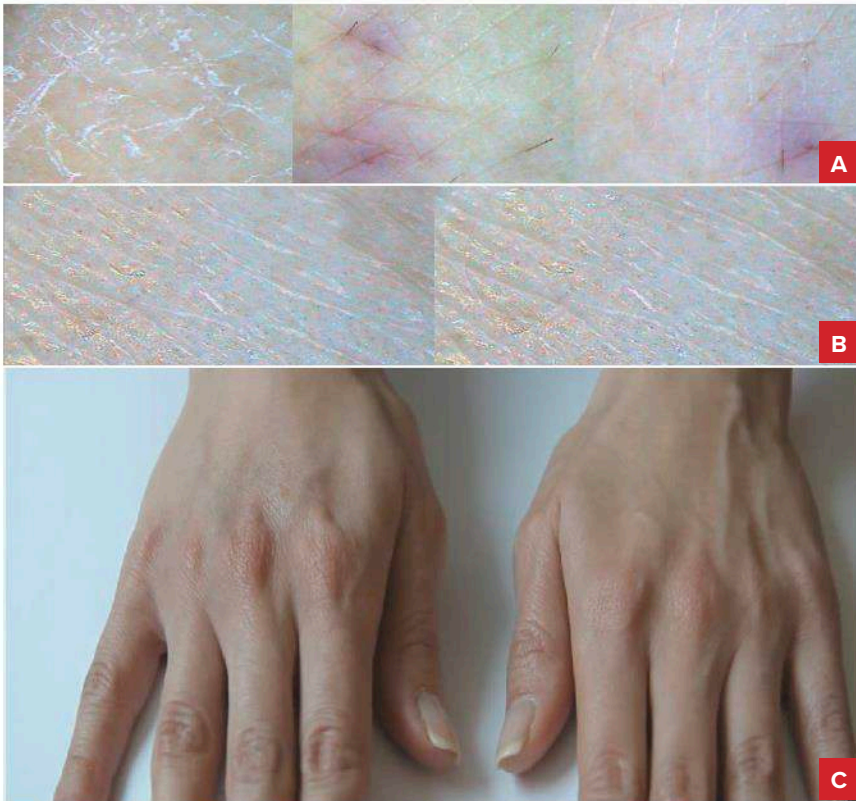


Fig. 1.

- (A)** The improvement of dryness and roughness after intradermal injection of Restylane Vital on microscopic view of hand dorsum. Note the spreading of hydration from injection point.
- (B)** The same patient came back after 1 year and that time Restylane Vital was injected into sub-dermis using cannula. After subdermal injection with Restylane Vital, there was no change on microscopic view about improving dryness and roughness.
- (C)** Right hand (lower left side on picture) was after sub-dermal injection and left hand (lower right side) was control. Even there was little microscopic change of skin texture, volume effect (hidden veins and tendons) was not bad.



Fig. 2

- (A) Before treatment and after 13 days using Restylane Vital into dermis. The amount of each shots were 0.001 cc, 1 micro-litter. I did 1,000 shots of just one session for face with 1 cc of Restylane Vital.
- (B) The crow feet and tear trough were improved by dermal injection with mesogun.
- (C) The nasolabial fold was improved also just by one session of schematic dermal injection using mesogun.



Fig. 3

- (A) Left photo is before treatment on dry skin on leg and right is after.
- (B) When you assess with microscope, you need to take a photo with landmark for verifying same area. The lower three photos are high resolution views, and there was a landmark (scratch mark). Thus these photos show exact same area.

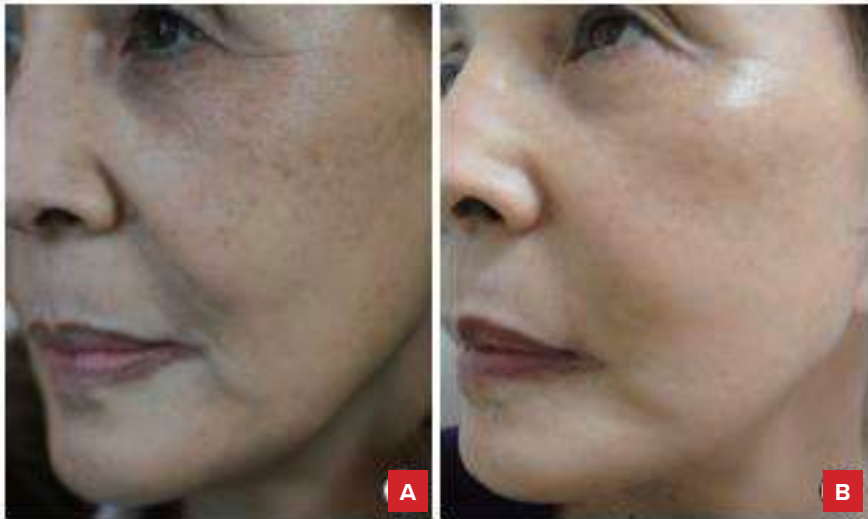


Fig. 4.

- (A) Before treatment. The skin of patient looked dry and many wrinkles were seen especially crow' feet, nasolabial fold and vertical wrinkle on upper lip.
- (B) The skin became healthier and tightened even with some whitening effect by skin revitalization. The vertical wrinkles of upper lip and crow feet were surprisingly improved by just one session with 1 cc of S-HA. Dermal injection with mesogun is good for treatment of fine wrinkles for patient who has thin and dry skin.

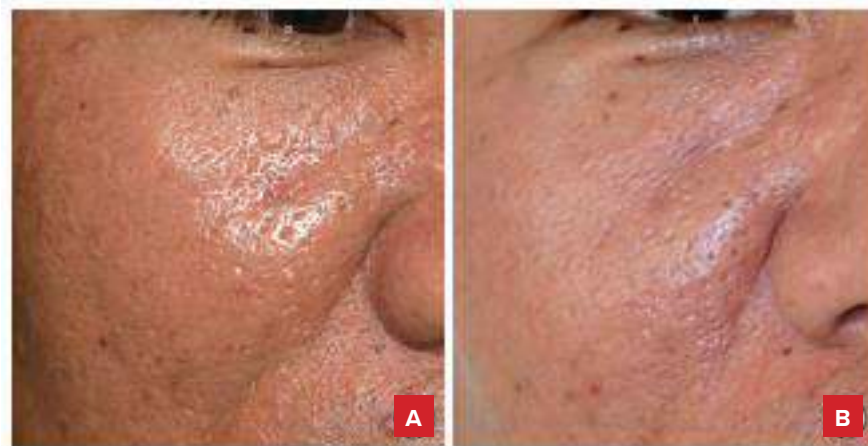


Fig. 5. Case of large skin pore and acne scar.

- (A) You can see large pores and acne scar on oily thick skin.
- (B) After dermal injection of S-HA, the large skin pores and acne scars were improved well. I think the result caused by dermal expansion or dermal hydration after dermal injection. This improvement of skin texture cannot be made by sub-dermal injection of S-HA



Fig. 6. Case of fine wrinkles with thick skin.

- (A)** You can see the fine wrinkles on thick skin.
- (B)** After schematic injection evenly, not directly into wrinkle, the fine wrinkles of thick skin were improved. Sometime sub-dermal injection of S-HA could make aggravation fine wrinkles of thick skin like this skin type.

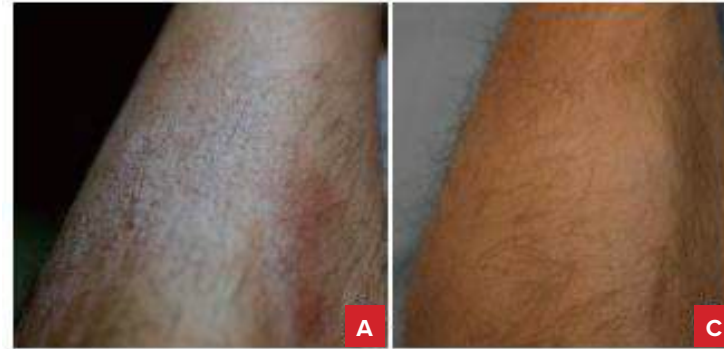


Fig. 7. Case of chronic dry skin on leg which was not treated by medical ointment application.

- (A)** The patient suffered from dryness of the leg with itching. The dryness was not treated hydro-cortison and other steroid cream.
- (B)** After 6 months. After dermal injection with S-HA, the dryness was treated and last more than 1 year in this case.

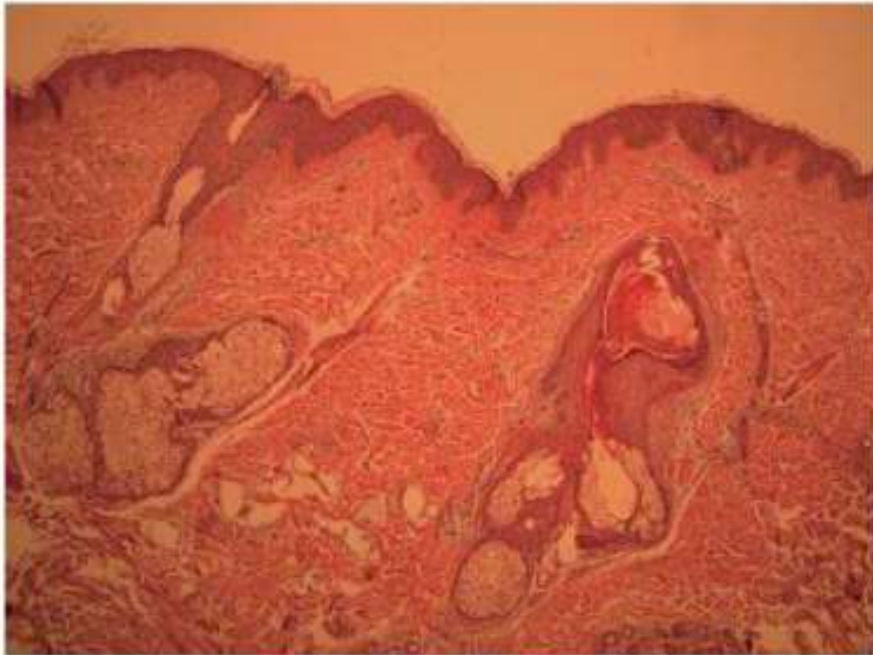


Fig. 8. Histology after 2 weeks of 1,000 shots of 0.001 cc injection by 1 cc of particle type S-HA into dermis of faces. You can see microdroplets and particles of S-HA in microdroplets. There was no inflammatory cell around S-HA. Particles of S-HA looked relatively big in comparison with collagen fibers. Thus particles of S-HA did not spread well between collagen fibers and displaced collagen fibers. 0.001 cc of S-HA was injected into exact dermis with injector and did not make lumps on face and exist more than 1 year on biopsy. 0.001 cc is recommended when dermal injection using particle type S-HA on dermis of face for prevention of lumps .

2) REPORT 2

A Split-Face Study of the Effects of a Stabilized Hyaluronic Acid-Based Gel of Nonanimal Origin for Facial Skin Rejuvenation Using a Stamp-Type Multineedle Injector: A Randomized Clinical Trial.

Plast Reconstr Surg. 2016 Mar;137(3):809-16.

Roh NK, Kim MJ, Lee YW, Choe YB, Ahn KJ. (Seoul, Republic of Korea From the Department of Dermatology, Konkuk University School of Medicine, and the Research Institute of Medical Science, Konkuk University.)

Methods

Device	Skin Booster II
Drug	Stabilized hyaluronic acid (S-HA)
Patients	24 patients
Treatment	Lower cheek (4cmX4cm)
Observation period	1wk, 2wks, 4wks, 8wks, 12wks
Measurement	<ul style="list-style-type: none"> • Hydration • Transepidermal water loss • Melanin • Erythema • Elasticity



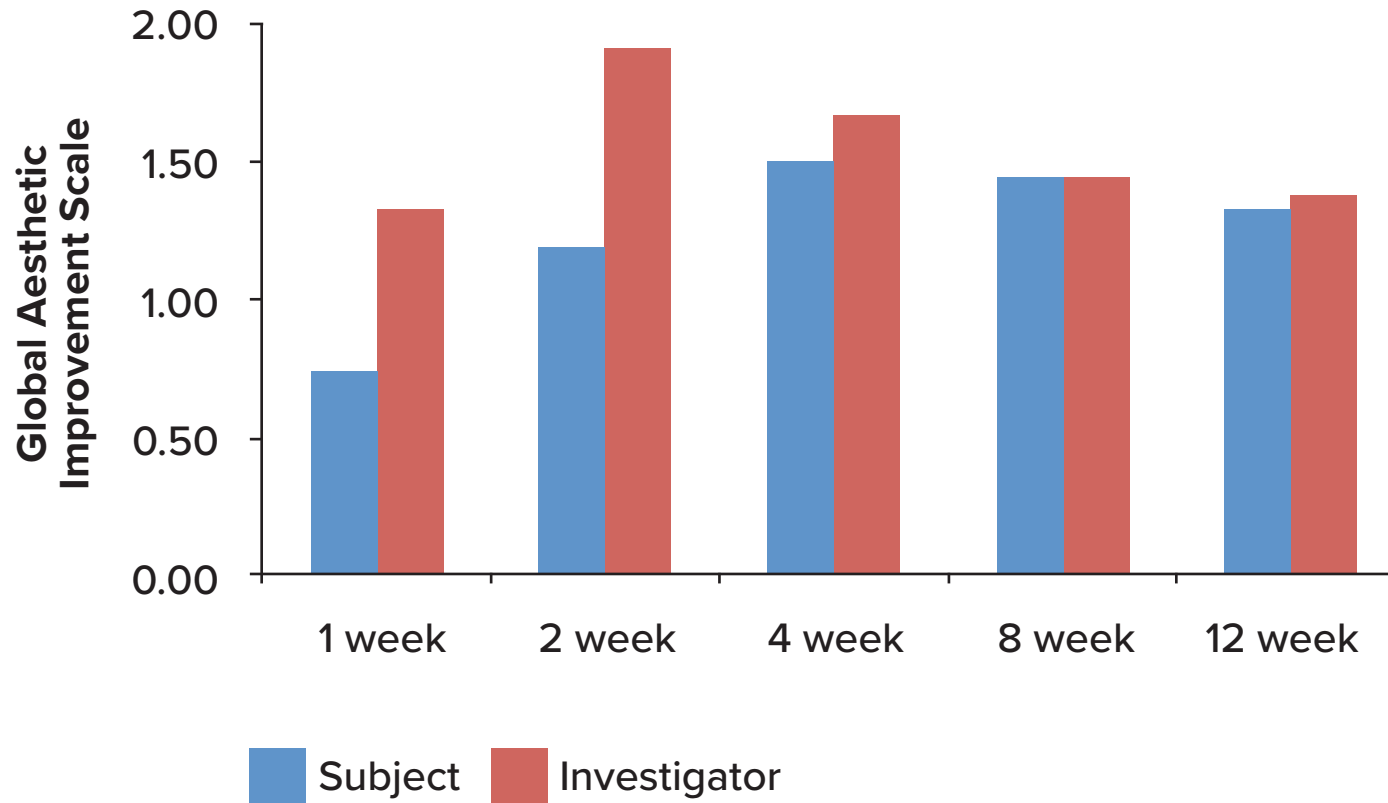


Fig. 3. Global Aesthetic Improvement Scale scores at follow-up visits. The subjects' and investigators' feedback were positive at all follow-up time points.



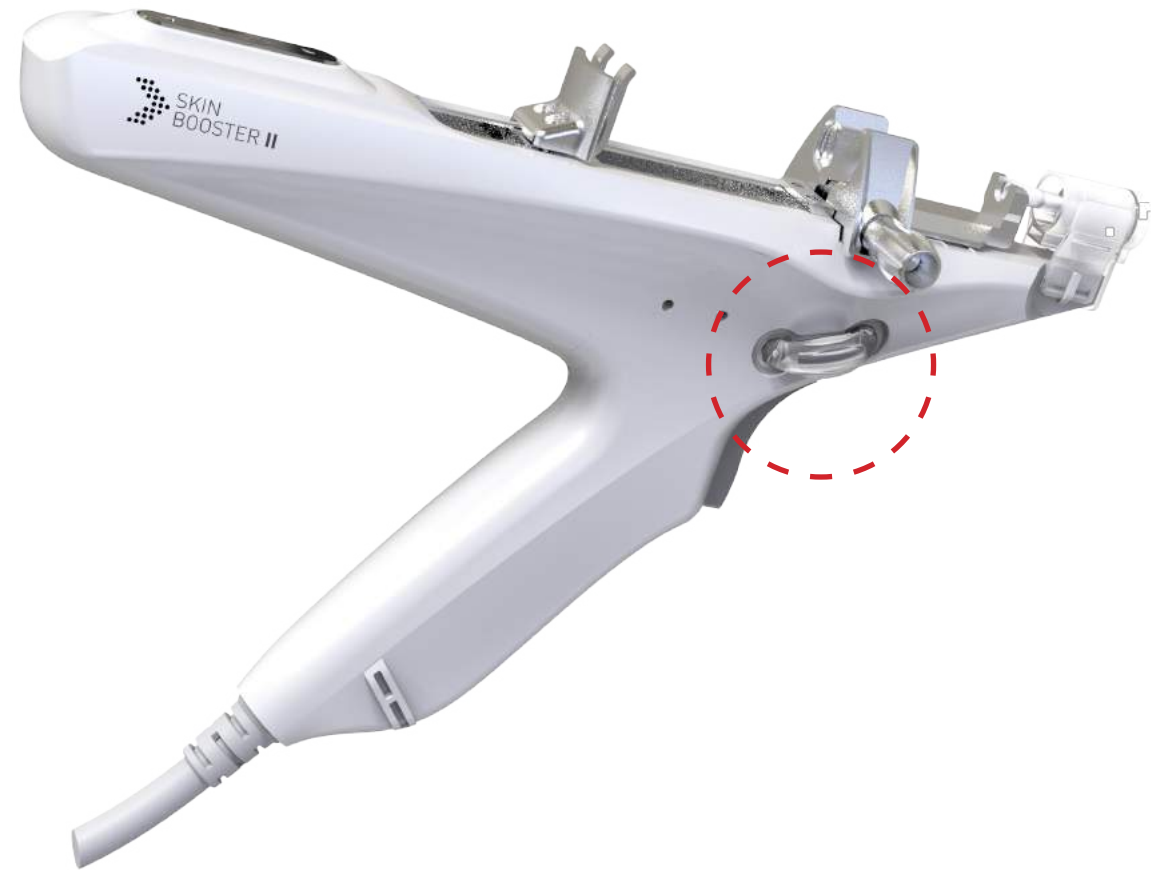
Fig. 4. Clinical response of the treated side in a representative patient (a 33-year-old woman) at baseline (left) and 12 weeks after nonanimal stabilized hyaluronic acid injection using a specialized stamp-type multineedle injector (right). A clinical improvement can be seen on the treated side at 12 weeks compared with baseline.

1) FILTER

Advanced capabilities.

Now, Featuring with Detachable
Hygienic- Filter Technology

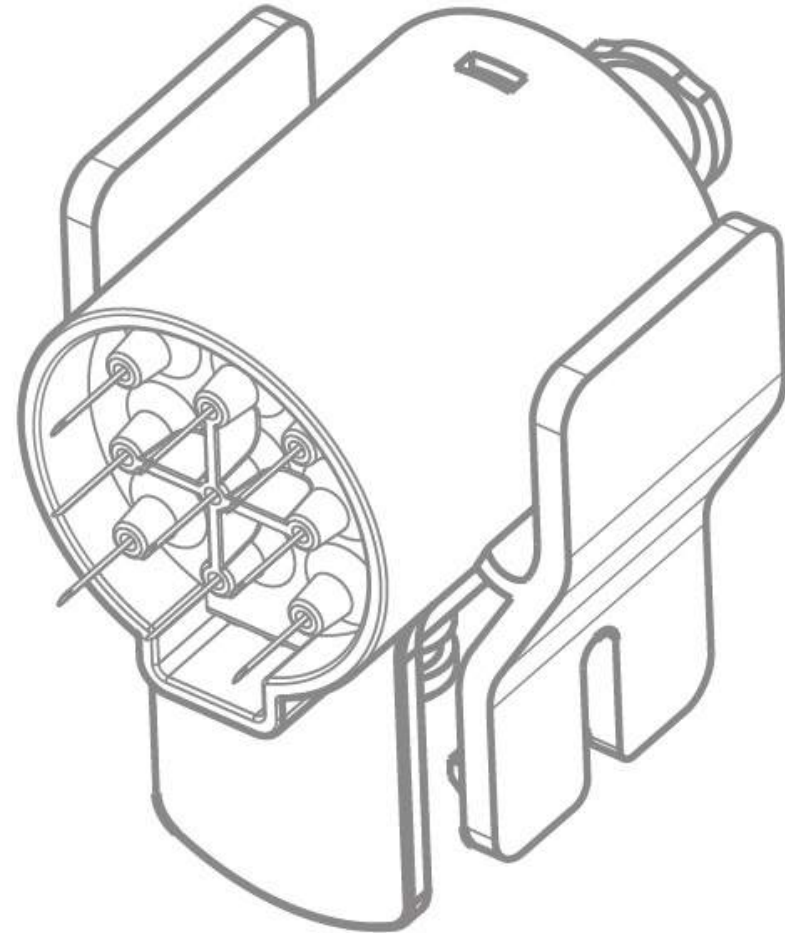
Built with advanced hygienic-centric technologies inside, this small but highly capable item effectively protect the system to use it safer and cleaner – help you make reliable, confident treatment



2) MULTI-NEEDLE

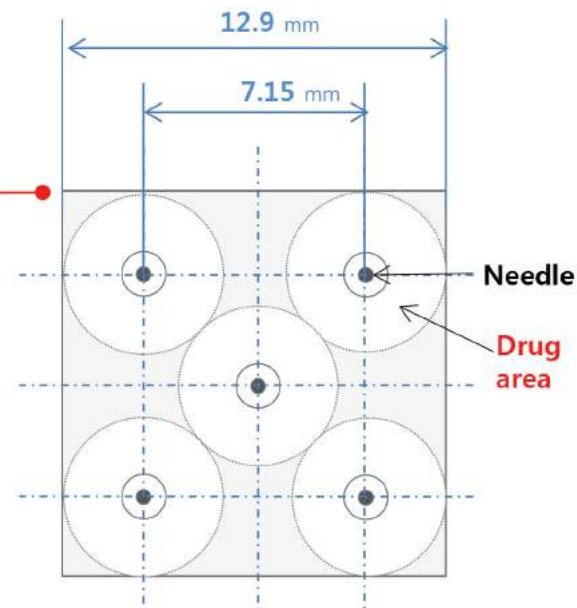
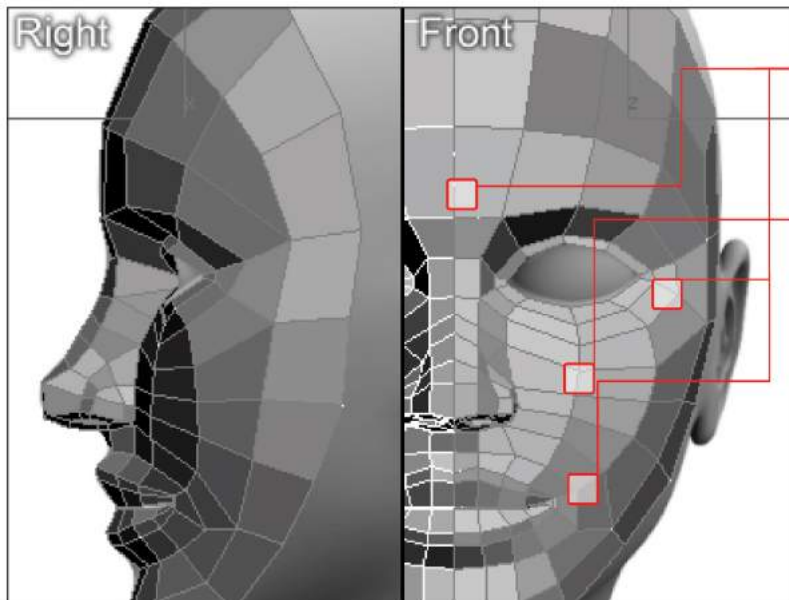
Newly engineered needle delivers all the essential functionality to meet the clinical needs.

- Controlled depth adjustment, from 0mm to 5mm at 0.2mm interval, delivers customized treatment to accurately target sub dermis where most of collagen and elastin exists.
- 31G, 9-Pin multi needle provides dynamically faster treatment.



2) MULTI-NEEDLE

- 31G, 9-pin multi needle
- Consists of 5 needle, applying even dose in 166 mm² area



- Treatment area on the face: about 32,800 mm²
- Treatment area: 166 mm² (12.9mm x 12.9mm)
- Treatable shot count for whole face: about 196 shots (=32,800/166)

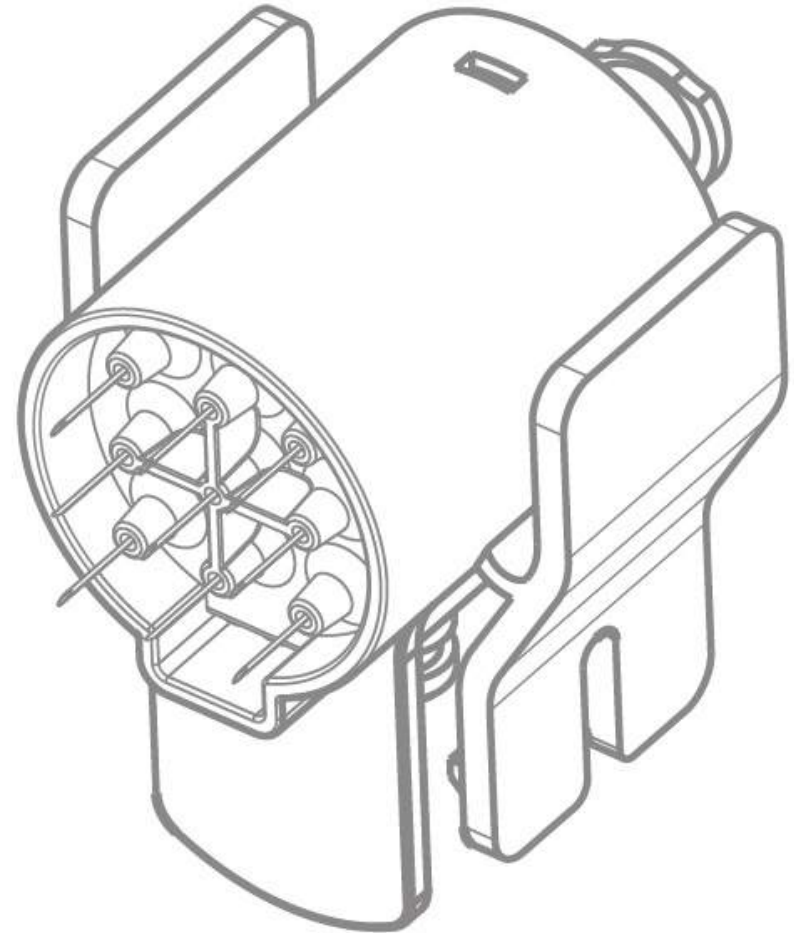
2) MULTI-NEEDLE

Safety Guard

- Prevent possible injury
- Remove after needle is intact with the device

Cross Contamination Cover

- Prevent contamination on the hand piece
- Prevent possible cross contamination between patients

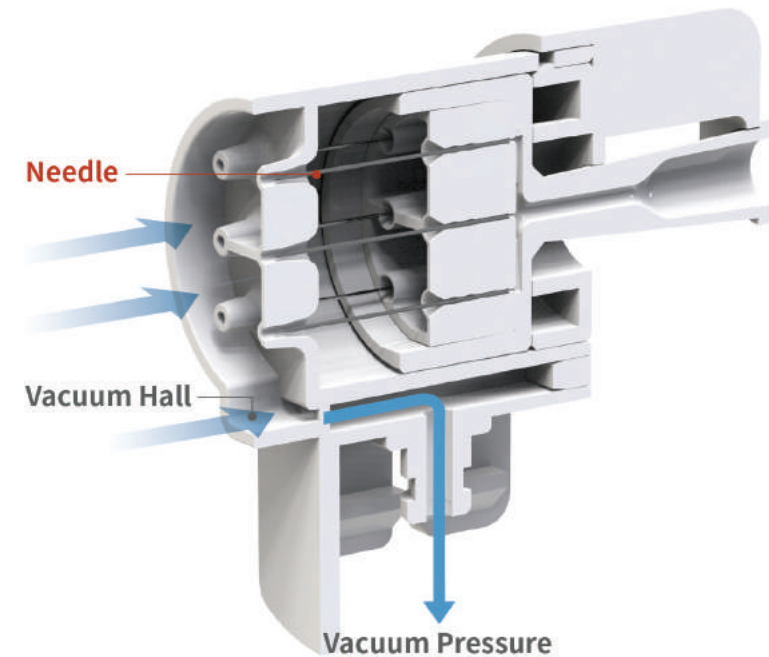


2) MULTI-NEEDLE

Incorporating the latest technology - vacuum assisted needle.

- Pressure release-needle enables to inject all needles beneath skin and subcutaneous tissue – minimize drug loss.
- Patented Backflow Block Structure, effectively prevents from the contamination out of drug and blood.

5. STRENGTH OF SKIN BOOSTER II



1) DRUG DOSAGE GUIDELINE

MODE	TYPE	DOSE	AVAILABLE SHOT
INTERMITTENT	1 cc	5 µl (0.005cc), (1.0µl/pin)	200 shots
		6 µl (0.006cc), (1.2µl/pin)	167 shots
		7 µl (0.007cc), (1.4µl/pin)	143 shots
		8 µl (0.008cc), (1.6µl/pin)	125 shots
		9 µl (0.009cc), (1.8µl/pin)	111 shots
		10 µl (0.010cc), (2.0µl/pin) [Preset]	100 shots
		11 µl (0.011cc), (2.2µl/pin)	90 shots
		12 µl (0.012cc), (2.4µl/pin)	83 shots
		13 µl (0.013cc), (2.6µl/pin)	77 shots
		14 µl (0.014cc), (2.8µl/pin)	72 shots
		15 µl (0.015cc), (3.0µl/pin)	67 shots
		20 µl (0.020cc), (4.0µl/pin)	50 shots
		25 µl (0.025cc), (5.0µl/pin)	40 shots
		30 µl (0.030cc), (6.0µl/pin)	33 shots

MODE	TYPE	DOSE	AVAILABLE SHOT
CONTINUOUS	1 cc	1 cc/min[Preset], 2 cc/min, 3cc /min	—
	2 cc	1 cc/min[Preset], 3 cc/min, 5 cc/min	—
	3 cc		
	5 cc		



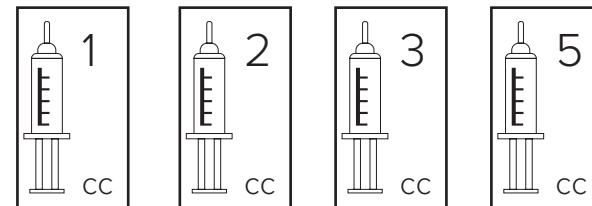
2) SYRINGE TYPE SELECTION



Syringe Type

[Preset: 1cc]

Available syringe type



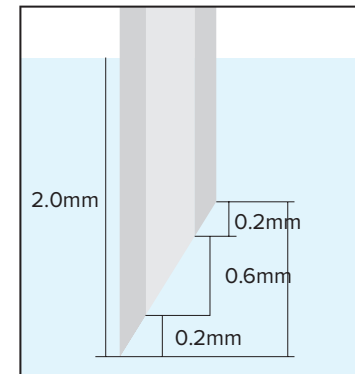
3) NEEDLE PENETRATION DEPTH CONTROL



Needle Penetration Depth

[Preset : 2.0mm]

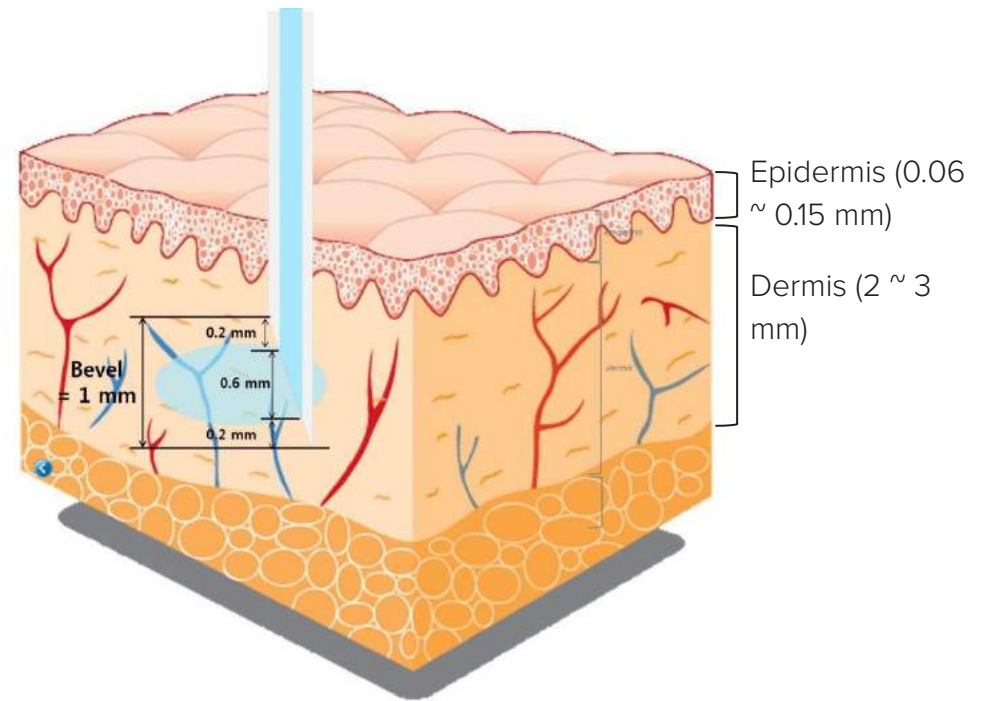
Needle Depth range
min. 0 mm ~ max. 5.0 mm
(Interval : 0.2mm)



* Needle bevel Refer to the left figure e.g.) [Set depth: 2.0mm] [Target area: about 1.2 ~ 1.8mm]

NEEDLE BEVEL

- Approx. bevel value: 1 mm
- Needle penetration depth for safe optimal treatment:
At least 1.2mm
- Actual Penetration Depth: 0.2mm less than value
displayed on the LCD Ex) [Depth: Set value of 2.0mm]
[Actual depth: Appx. 1.2 ~ 1.8mm]



4) OPERATION MODE SELECTION



Operation Mode

Operation Mode

[Preset : STANDBY]

1. Intermittent:

When you pull the trigger once injected drugs.

2. Continuous:

When you continue pulling the trigger, the drug is injected continuously.

5) DRUG DOSAGE CONTROL



Drug Dosage

Dose Mode

[Preset : 10 μ l / 1cc/min]

Intermittent Mode [Preset: 10 μ l]

Type	Dose	Available Shot	Dose	Available Shot
1 cc	5 μ l (1.0 μ l/pin)	200	12 μ l (2.4 μ l/pin)	83
	6 μ l (1.2 μ l/pin)	167	13 μ l (2.6 μ l/pin)	77
	7 μ l (1.4 μ l/pin)	143	14 μ l (2.8 μ l/pin)	72
	8 μ l (1.6 μ l/pin)	125	15 μ l (3.0 μ l/pin)	67
	9 μ l (1.8 μ l/pin)	111	20 μ l (4.0 μ l/pin)	50
	10 μ l (2.0 μ l/pin)	100	25 μ l (5.0 μ l/pin)	40
	11 μ l (2.2 μ l/pin)	90	30 μ l (6.0 μ l/pin)	33

Continuous Mode [Preset: 1 cc/min]

Type	Dose
1 cc	1 cc/min, 2 cc/min, 3 cc/min
2 cc	
3 cc	1 cc/min, 3 cc/min, 5 cc/min
5 cc	

6) SPEED LEVEL CONTROL



Viscosity Level

[Preset : 1]

Depending on the drug viscosity, set the staying time of needles in the skin.



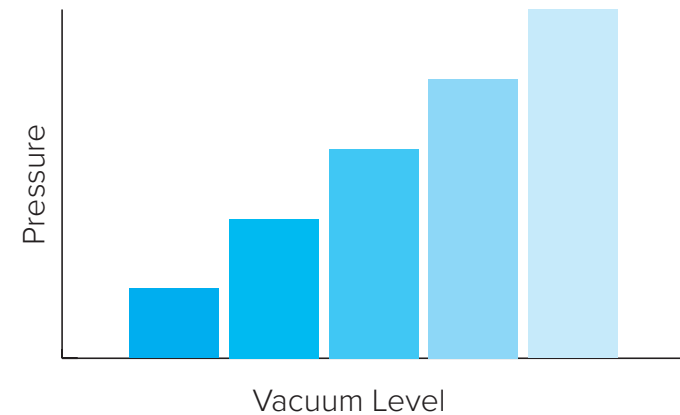
Viscosity			
Level	Time (Sec)	Level	Time (Sec)
1	140 s	4	270 s
2	180 s	5	340 s
3	230 s	6	440 s

7) VACUUM LEVEL CONTROL



Vacuum Level

[Preset : 5]



- Ergonomic & Innovative design for increased working comfort and hand support.
- Accurate & Precise Injection
- Audible, Visual & Tactile Feedback
- Delivers small dosages
- Even distribution of volume over large skin areas for predictable treatment results
- Easy treatment of versatile areas such as the face, neck, décolletage and hands.
- Accommodates High Viscosity

The new level of drug-delivery injection system which will be your cornerstone for the future.

Help support your business confidence, too.

Buying skin Booster II represents a smart and strategic investment for the clinic so that you can gain a strong competitive differentiator.

- Engineered with unparalleled hygiene-centric system – detachable single-use filter
- Praised for accurately adjusted depth control, powered by vacuum assisted technology.
- Reduced drug-loss during injection procedure.
- Acknowledged patented Backflow Block Structure system.



SKIN BOOSTER II®

Device Type	Auto Injector
Needle Information	31 G, 5Pin Multi Needle Type
Needle Extension	0~5 mm(Interval 0.2mm)
Syringe Dosage	1cc, 2cc, 3cc, 5cc
Needle Attachment	Manually Attached
Needle Insertion	Manual
Needle Removal	Manual
Operation Mode	Intermittent, Continuous
Activation	Button(Trigger) Activated
Voltage & Frequency	AC 110 ~ 240V, 50~60 Hz
Dimension (WxDxH mm)	Injector : 293 x 49 x 168 Body : 333 x 298 x 130
Panel	Gun LCD : 1.7 Inch Body LCD : 5.0 Inch, Touch Screen
Weight	4.7 Kg (Body + Injector)



Cryomed
Aesthetics

1300 346 448

info@cryomed.com.au | cryomed.com.au